

Measuring and
billing service

Wall-mounted water meters

The residential water meter with mature single-jet technology and a convenient radio option

Product description

Techem wall-mounted water meters are dry running single-jet meters. The rotary mechanical counter is connected to an impeller wheel by solenoid coupling. An extensive choice of different models with varying flow capacities and construction lengths ensures the flexibility to cover a wide range of applications.

data III wall-mounted water meter

A non-contact, nonwearing sensor records the flow rates measured by the mechanical counter and stores them in the radio transmitter module. The consumption amounts up to a fixed date, by the middle of the month and at the end of the month plus the meter ID data are transmitted by radio and can thus be read without entering the residence.

vario S wall-mounted water meter

The design of the counter with an integrated modulator disk allows retrofitting of a module for radio transmission of consumption amounts.

Performance features

- Connection to the Techem radio network – can also be retrofitted!
- High measurement accuracy and stability ensured by mature technology
- Low pressure loss and high operational safety ensured by reliable single-jet technology
- For cold water up to 30°C or hot water up to 90°C
- Installation on a washstand or kitchen sink with special accessories for angle valves and fittings
- Adjustment to non-standard construction lengths by means of special screw joints and extension elements
- Including MID homologation
- Metrological class horizontal in R 160 or R 80



data III wall-mounted water meter



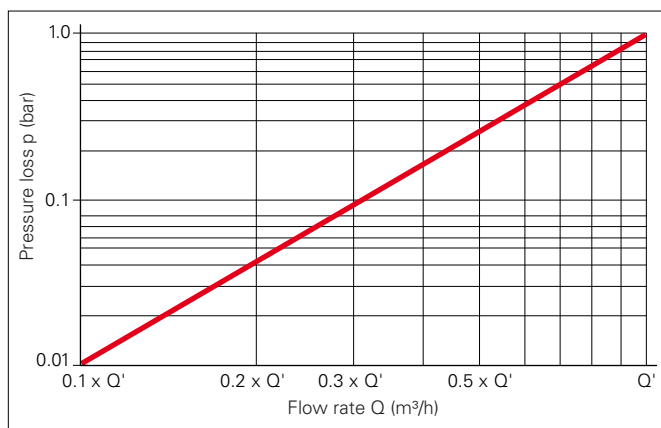
vario S wall-mounted water meter

Technical data

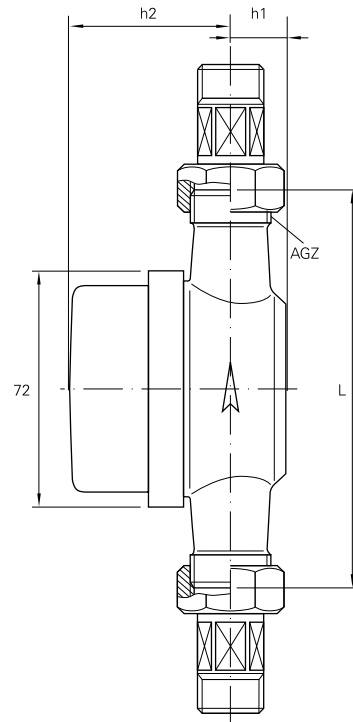
Nominal temperature	up to (°C)					
Cold water meter	30	30	30	30	30	30
Hot water meter	90	90	90	90	90	90
Meter connection thread	AGZ	G ¾	BG ¾	BG ¾	B 1	G1B
according to ISO 2281/1						
Construction length L	(mm)	110	80	110	130	130
Height h1	(mm)	16	15	16	17	17
Height h2 on-wall vario S	(mm)	53	58	53	53	53
Height h2 on-wall data III	(mm)	62	67	62	62	62
Nominal flow Q3	(m³/h)	1,6	2,5	2,5	2,5	4,0
Flow rate Q' at 1 bar pressur/h		3200	3200	3200	3200	5050
loss						
Metrological class horizontal		R80H	R80HR160	R160H	R160HR160H	R160H
vertical		R40V	R50V	R63V	R63V	R63V
Starting	l/h	< 8	< 8	< 8	< 8	< 15
Lowest flow Q1 horizontal/	(m³/h)	0,020	0,031	0,016	0,016	0,016
vertical		0,040	0,050	0,040	0,040	0,063
Nominal pressure PN	(bar)	10	10	10	10	10
Display range		0.1 litre to 10,000 m³/h				
Screw joints R according to	AGR	R ½"	R ½"	R ½"	R ½"	R ¾"
DIN 2999						

Accessories

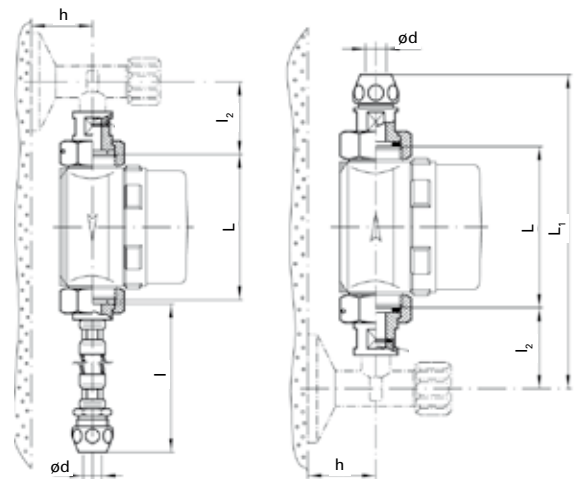
screw joints with connection threads according to DIN 2999, also chrome-plated Soldered screw joints and accessories for washstand installation



Pressure loss curve



Wall-mounted water meter



washstand installation

Dimensions washstand installation

- L = 80 mm
- L1 = 204 mm
- l = ca. 400 mm
- l2 = 58 mm
- h = 20 mm
- ød = 10 mm